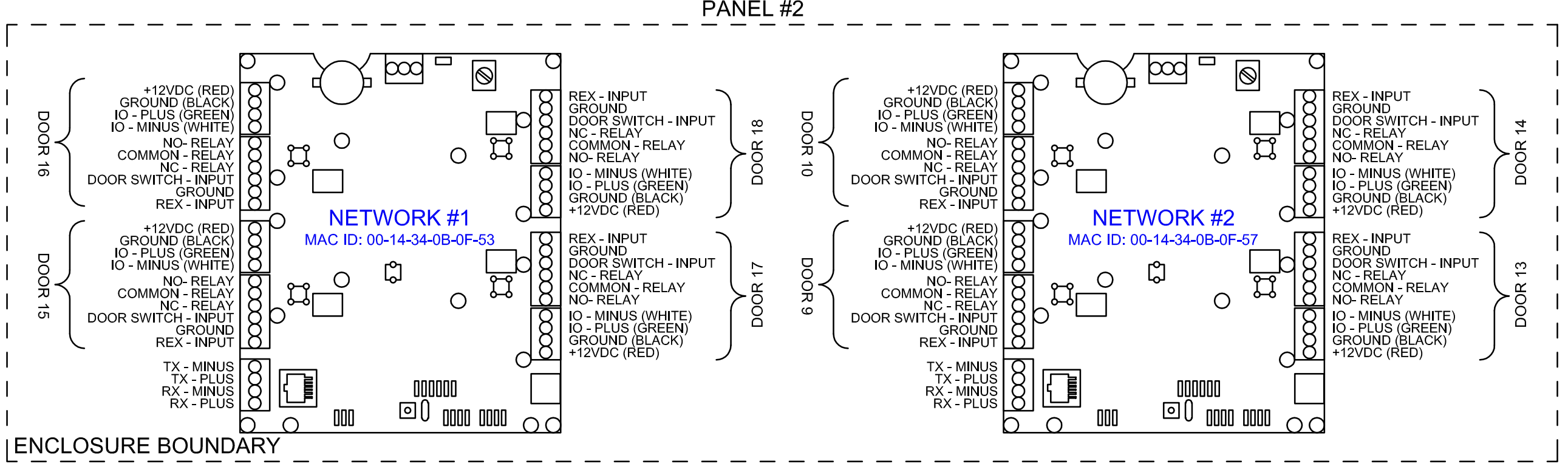
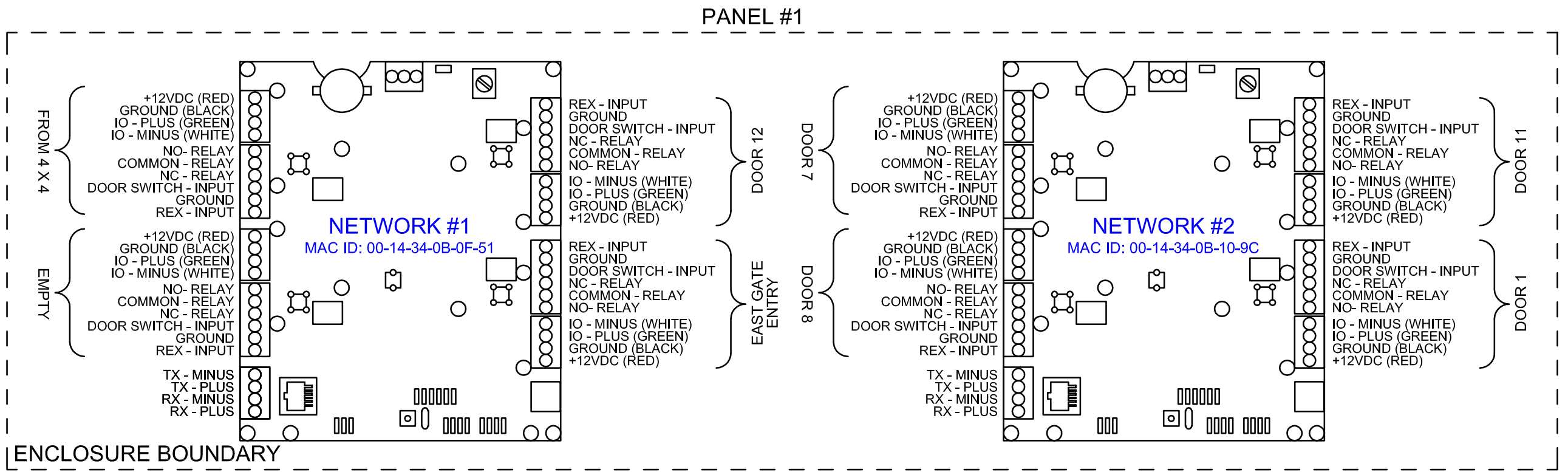


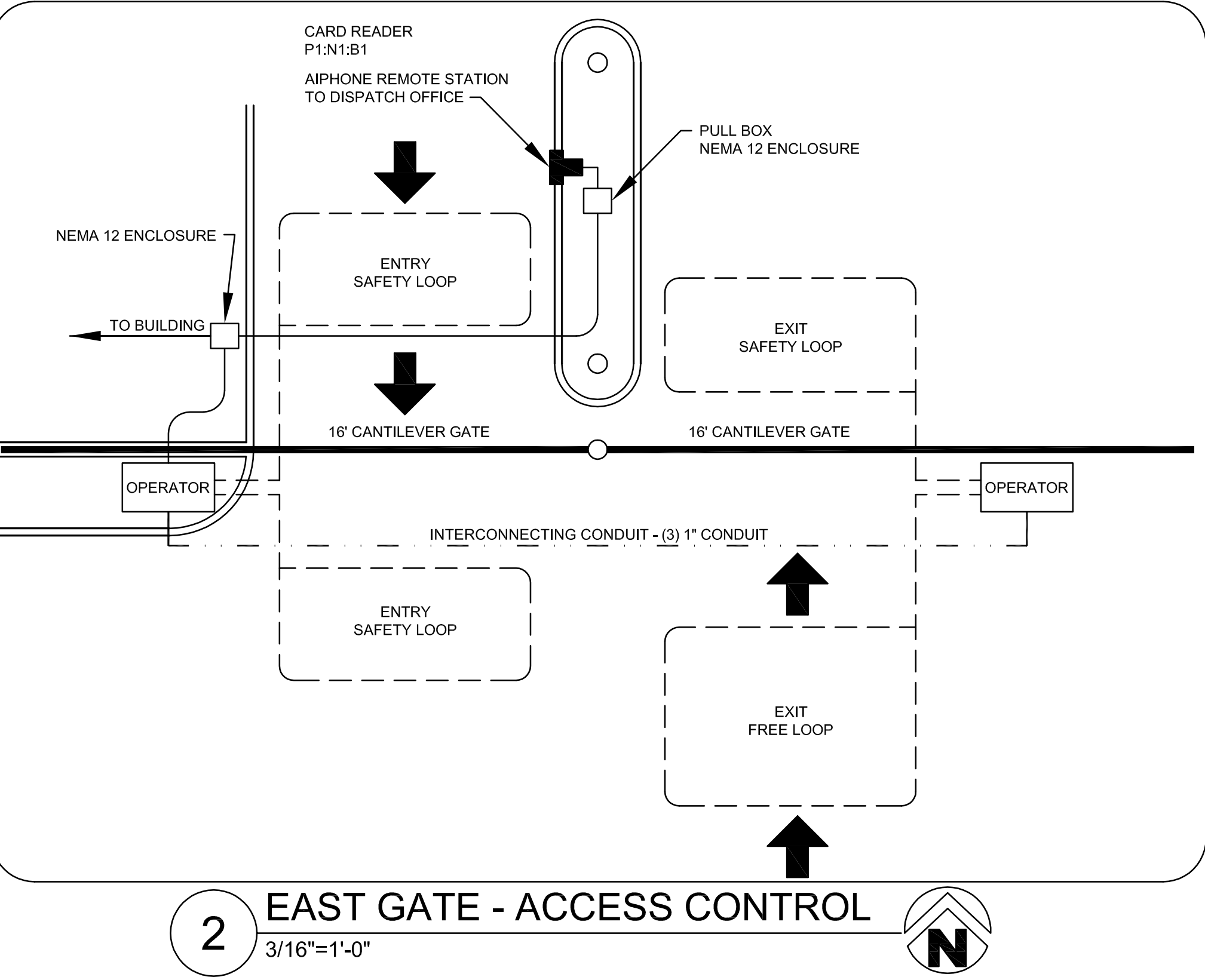
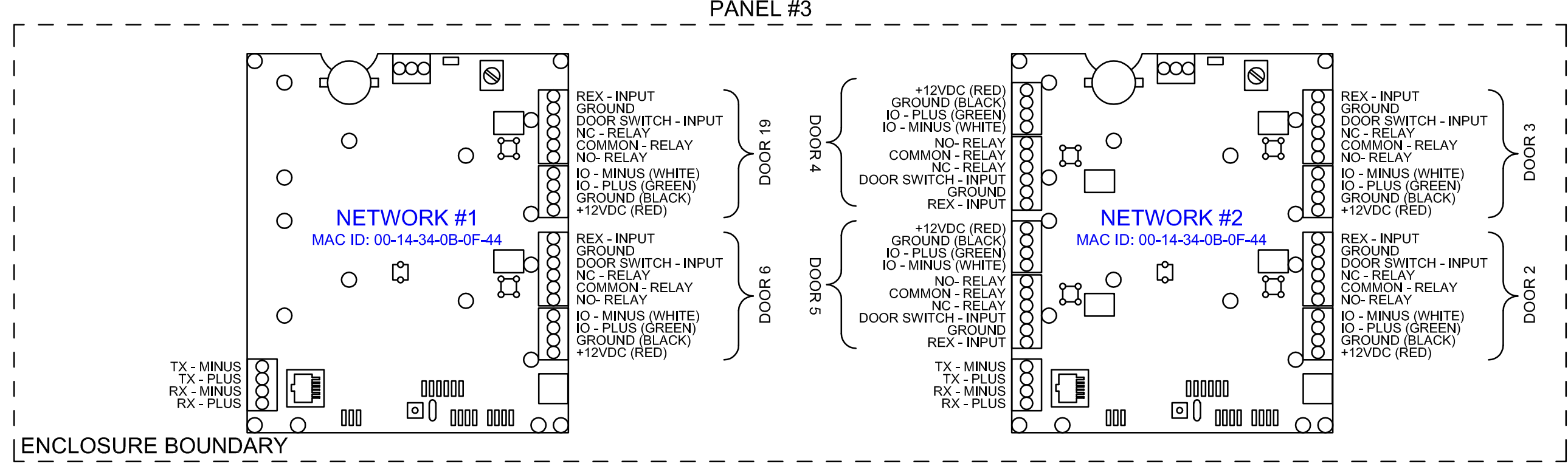
### 3 TYPICAL READER WIRING

PANEL NOMENCLATURE	
SYMBOL	DESCRIPTION
P	PANEL
N	NETWORK
B	BUS



### 1 SECURITY PLAN - CAMERAS AND ACCESS CONTROL

3/32"=1'-0"



### 2 EAST GATE - ACCESS CONTROL

3/16"=1'-0"

3446 Wagon Wheel Rd.  
Springdale, AR 72762  
Office (479) 501-1833 Fax (479) 501-1465



JOB NOTES  
MODERN FENCE & SUPPLY COMPANY  
1864 FORD AVE  
SPRINGDALE, AR 72764  
(479) 621-8223



Type of System - On Plan	
<input type="checkbox"/>	Analog Camera System
<input type="checkbox"/>	Burglar System
<input checked="" type="checkbox"/>	Card Access System
<input checked="" type="checkbox"/>	Digital Camera System

REV #	DATE	DESCRIPTION

Drawn By KENDRICK  
Reviewed By W. GRAHAM  
**SE 1.0**  
Date NOV. 10, 2009